

HEADSAIL
FURLING &
REEFING
SYSTEMS



Photo : Hanse Yachts

Race developed technology :

The LS/LX/RX Range has been developed according to a specific technological concept to establish the west-about solo non-stop record. Now the same technology from offshore racing is available for every boat thanks to Facnor's continuous development.



LS

LX

RX

STRENGTH

PERFORMANCE

INNOVATION



RACING & CRUISING



LS / LX / RX HEADSAIL

From the smallest of cruising yachts to the biggest round the world race yachts, they all have something in common, the same Facnor technology...

Bearing box : Strength - Performance - Innovation

Like the Facnor carbon furling systems on board of Jean Luc Van Den Heede's 80 footer, the Ls/Lx/Rx drum and swivel are fitted with a "bearing box" (see above). This was tested over ocean races under loads up to 20 to 30 times higher than a 30ft cruising boat. Even under high halyard tension furling remains easy. This innovative system is now available for every boat thanks to Facnor continuous development.

DRUM

&



SWIVEL

ROTATING TACK FITTING (LX & RX)

Fitted with torlon® balls, this system takes up automatically the sail fullness when furling and offers a better sail shape when this one is partially furled



WATERPROOF

Thanks to 2 elastomer moulded twin rim joints proofing against salted water and sun light

BEARING BOX

Components: a stainless steel thrust bearing between 2 large self-lubrificating polymer fibre bearings

SMOOTH ROTATION

This bearing box takes the axial loads (halyard tension) and lateral loads (outhaul tension)

HARD ANODISING

A hard anodising (40 microns), similar to winches, protects these parts against impacts and abrasion



PRODUCT REPORT Roland Montagny Port Pin Rolland Shipyard Manager

We are specialized in building and preparing offshore catamarans. These boats are meant for rent and endure intensive use, almost all over the year. Our fleet sails all over the globe and mainly in the West Indies and the Mediterranean area. Regarding furling equipment, our requests were the following : an excellent compromise between quality and price (above all, no after sale services to cope with because of our scattered fleet), short delivery times and an efficiency to solve technical problems proper to big units. The products which met the most our expectations were the Facnor LS furlers, which give us complete satisfaction. In addition, it is a real pleasure to work with Facnor team ! »

FURLING & REEFING RANGE



SAIL FEEDER (LX range)
With the pre feeder (delivered) gives the ideal fitting to hoist the sail solo

HALYARD DEFLECTOR WHEEL

Prevents the Genoa halyard and any other halyard from wrapping around the forestay



SWIVEL: SMOOTH ROTATION

Even under high loads, featuring the innovative bearing box like the drum

STRONG CONNECTIONS

Improved torque resistance make the furling easy even under loads (see details p.14)

LARGE RANGE OF SECTIONS (5 SIZES)

The new sections allow a gradual and regular furling (see details page 14)

SYNTHETIC INSULATION

Situated between different materials to prevent electrolysis



360° ADJUSTABLE FURLING LINE GUIDE

For an optimal running of the furling line (no rubbing)



FACNOR ADVANTAGES

- Smooth rotation even under high loads
- Maintenance free
- Large range of new sections
- Strong connections
- Smooth stainless steel feeder + pre feeder (LX range)
- Rotating tack fitting (LX/RX range)
- Adjustable guides
- Insulation between different materials
- 40 micron hard anodising
- Easy installation thanks to the bottom telescopic section (see p. 16)

Photo: Ovm 365 / Alubat

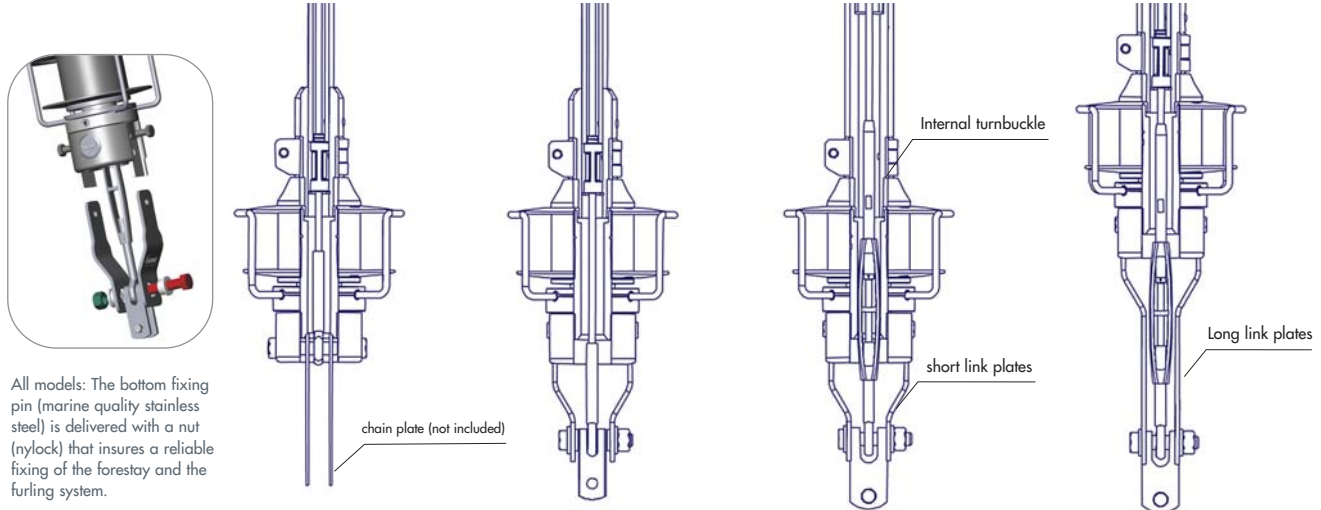


ADAPTED & SIMPLE INSTALLATION

4 possible types of installation: the drum fixation depends on the bottom forestay terminal fitted on your boat.

As shown below, 3 extra options can be added to the standard furling kit:

- short link plates (bent stainless steel plates)
- long link plates
- internal turnbuckle option (extended drum nose)



All models: The bottom fixing pin (marine quality stainless steel) is delivered with a nut (nylock) that insures a reliable fixing of the forestay and the furling system.

Bottom forestay terminal	Eye + chain plates	Eye + double jaw toggle	Turnbuckle + double jaw toggle	Turnbuckle + double jaw toggle
Type of installation	Standard	With short link plates	With internal turnbuckle option & short link plates	With long link plates

LS LX RX CRUISING OR RACING



Photo credit : Grand Soleil



LS / LX / RX according to your sailing programme : you will find within the three ranges of headsail furling and reefing systems, the Facnor product adapted to your needs either cruising, ocean navigation or racing.

LS / LX cruising programme : the LS range offers a large choice of standard models. Beside, the LX range corresponds to an "upgraded" range featuring a removable drum, a rotating tack fitting, and a stainless steel feeder.

RX racing/cruising programme : If you race, the RX furling systems will meet your satisfaction with their aerodynamic sections, the rotating tack fitting and the removable drum allow you to use the system as a head foil.

Removable drum : system used as a simple head foil

Just a few minutes are needed to change the furling system into a twin groove head foil ready for racing.



1
Unscrew and remove the furling line guide



2
Remove the half plates



3
Fit the two half protection rings

4



Once the half plates are removed, a racing Genoa can be hoisted using the twin groove head foil

THE FURLING SYSTEM SUITABLE TO YOUR BOAT



Photo Credit : Alubat - Ovni

LS/LX RANGE CRUISING

Model	LS 60 LX 60	LS 70 LX 70	LS 100 LX 100	LS 130 LX 130	LS 165 LX 165	LS180 LX 180	LS 200 LX 200	LS290 LX290	LS330 LX330
BOAT LENGTH <small>meters</small> <small>feet</small>	5,5 to 7 20' to 23'	6,5 to 8 21' to 28'	7,5 to 9 24' to 29'	8 to 11 26' to 36'	9 to 12 29' to 40'	10 to 13 40' to 43'	11,5 to 14 38' to 45'	13 to 18 43' to 60'	15 to 28 50' to 90'
Max. forestay ø <small>*removable eye or turnbuckle</small>	5 5/32"	5 5/32"	6 1/4"	6 - 7* 1/2" 9/32**	8 - 10* 5/16" 3/8**	8 - 10* 5/16" 3/8**	10 - 12* 3/8" 1/2**	12 - 14* 1/2" 9/16**	14 - 22* 9/16" 3/4**
SECTION :	SX 25	SX 25	SX 33	SX 33	SX 39	SX 39	SX 47	SX 47	SX 53
Weight per meter	577 g	577 g	658 g	658 g	914 g	914 g	1095 g	1095 g	1413 g
Halyard swivel	CX 25	CX 25	CX 33	CX 33	CX 39	CX 39	CX 47	CX 47	CX 53
OPTIONS									
Link Plates	<input type="checkbox"/>	<input type="checkbox"/>	<input type="checkbox"/>	<input type="checkbox"/>	<input type="checkbox"/>	<input type="checkbox"/>	<input type="checkbox"/>	<input type="checkbox"/>	<input type="checkbox"/>
Internal turnbuckle fitting	<input type="checkbox"/>	<input type="checkbox"/>	<input type="checkbox"/>	<input type="checkbox"/>	<input type="checkbox"/>	<input type="checkbox"/>	<input type="checkbox"/>	<input type="checkbox"/>	<input type="checkbox"/>

STANDARD LS
STANDARD DRUM
ALUMINIUM SAIL FEEDER
FIXED TACK FITTING

LUXE LX
REMOVABLE DRUM
STAINLESS STEEL FEEDER
ROTATING TACK FITTING



Photo : RADONIC

RX RANGE "RACING / CRUISING"

Model	RX 70	RX 100	RX 130	RX 165	RX 200	RX260	RX300
Boat Length <small>meters</small> <small>feet</small>	6,5 to 8 21' to 24'	7,5 to 8,5 24' to 29'	8 to 9,5 28' to 30'	9 to 11,5 29' to 37'	10 to 12,5 32' to 42'	11,5 to 15 37' to 49'	13 to 18 42' to 60'
Max. forestay ø	5 5/32"	6 1/4"	6 or 7 1/4" or 9/32"	8 5/16"	8 5/16"	10 3/8"	12,7 1/2"
	necessary to have removable eye or turnbuckle						
SECTION :	R 14	R 14	R 14	R 24	R 24	R 26	R 34
Weight per meter	451 g	451 g	451 g	555 g	555 g	641 g	991 g
Halyard swivel	CX 14	CX 14	CX 14	CX 24	CX 24	CX 26	CX 34
OPTIONS							
Link plates	<input type="checkbox"/>	<input type="checkbox"/>	<input type="checkbox"/>	<input type="checkbox"/>	<input type="checkbox"/>	<input type="checkbox"/>	<input type="checkbox"/>
Internal turnbuckle fitting	<input type="checkbox"/>	<input type="checkbox"/>	<input type="checkbox"/>	<input type="checkbox"/>	<input type="checkbox"/>	<input type="checkbox"/>	<input type="checkbox"/>

STRONG CONNECTIONS AND SECTIONS



**HIGH PERFORMANCE
POLYAMID BEARING**

Protect the forestay and prevent from wearing

CNC MACHINED HOLES

Insuring the sections to be perfectly aligned

MATERIAL INSULATED

Screws covered with tuff lock® (blocking and insulating product)

**2 METER ANODISED
EXTRUDED ALUMINIUM
SECTIONS**

Type of aluminium :
serie 6000

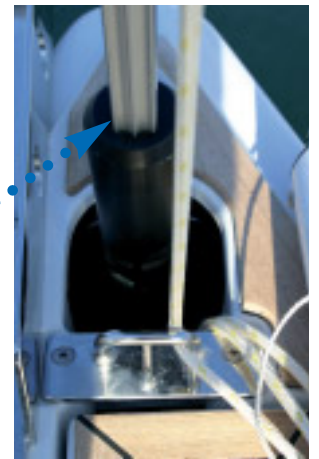
TELESCOPIC SECTION (Facnor patent)

Allows adjusting the section length. Like the connectors, the telescopic section offers a high torque resistance

**CONNECTORS
WITH HIGH TORQUE
RESISTANCE**

Guarantee a great rigidity at the section connections

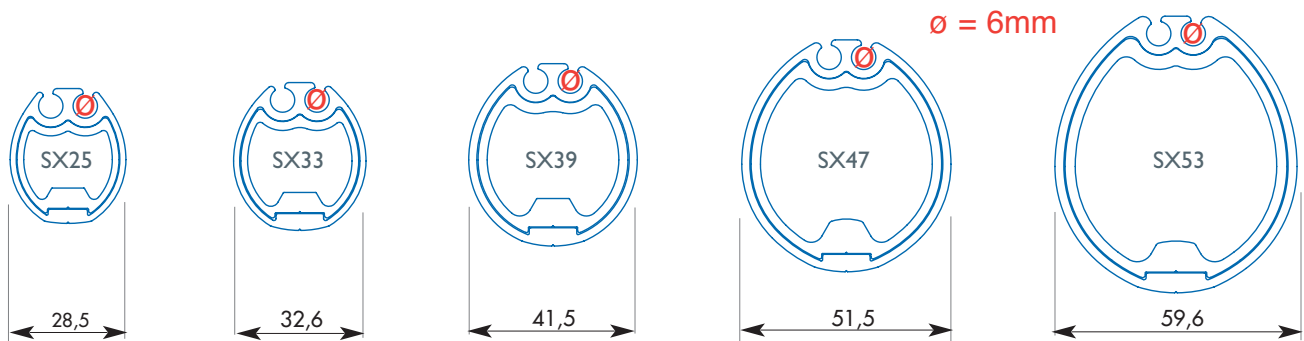
Standard section length :
2 m (6'8")



HEAD FOIL

SX 25 / SX 33 / SX 39 / SX 47 / SX 53 ROUNDED SECTIONS (LS/LX RANGES):

The SX twin groove foil sections, round shaped, offer smooth furling as well as a high rigidity. We recommend a 5mm finished luff tape.



R14 / R24 / R26 / R34 ELLIPTICAL SECTIONS:

This range of sections offers a good aerodynamics' and the double-groove allows easy sail changing. We recommend a 5mm finished luff tape except for the R14 (4.5mm).

