

# MAINSAIL



FACSLIDE+ LOCKS  
MAINSAIL FURLERS



**Full mainsail set :** Above a certain area, a full batten mainsail needs to be fitted with ball bearing cars for more comfortable cruising. In addition to Lazy-jacks, Facslide® allows easy hoisting, lowering and reefing of the mainsail. Furthermore, the new reefing locks completes cunningly this car and track device. For mainsails without full batten, the Facnor CF furling gear remains an alternative equipment.

Photo Credit : Shipman / Shipman 50



FACSLIDE+ FULL BATTEN CAR SYSTEMS

P40

REEFING LOCKS



P43



MAINSAIL FURLERS

P44

Photo Credit : Mellami





## BATTEN CARS FOR FULLY BATTEN MAINSAILS

**FACSLIDE<sup>+</sup>**  
*Hoisting, reefing and lowering effortlessly*



The system of recirculating ball bearing cars is designed for full batten mainsail. It helps to raise, lower and reef the sail easily. The FACSLIDE<sup>®</sup> system combined with a Lazy Bag is the installation to handle perfectly your mainsail on your own.

*\* a 50 m<sup>2</sup> mainsail weights approx. 35 kg for a monohull or 70 kg for multihull.*

### ADAPTIBILITY & RELIABILITY

The Facslide<sup>®</sup> system is synonymous of effortless sailing

#### Facslide+ features:

- Monoblock design of the cars (no assembled cap). The ball race is CNC machined to high precision.
- Possibility of mixing the car models (F10-20-30) in order to lower the sail stack height when the cars are down. It also helps reduce the total cost.
- The toggle of the batten cars can turn more than 180° and fit to most batten boxes (M10-12).
- The cars are supplied with torlon<sup>®</sup> balls (higher resistance against wearing).
- F10-20-30: flat and light tracks, safety and quick pins (see below), anodization and insulation materials

#### Tracks fitting to the mast without modification

The tracks are easily fixed with slugs alongside the existing mast without unstepping (see page 42).



#### Top and bottom stoppers (EB15, ER40)

Delivered in the FACSLIDE<sup>®</sup> kit, these stoppers prevent the cars from sliding out of the tracks.

EB15 (F10,20,30)



EB40 (F40)

#### Headboard cars (FT10, FT20, FT30, FT40)

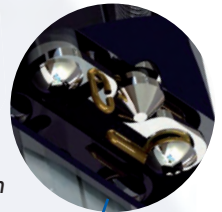
can be fitted on the head board of the existing sail or simply on a ring



#### + 180° angle



toggle with large articulation



Safety-clip device (similar to the FX Gennaker furlers)

#### Monoblock cars

The FACSLIDE<sup>®</sup> cars are CNC machined in one block of aluminium, this makes them shock-proof when lowering the sail.

#### Automatic reefing

Reefing the mainsail is easy as the effort for tightening the halyard are limited. As a complementary boom option Facnor supplies the F40 outhaul foot car. (ref. 540 204 008 20)





# FACSLIDE+

Hoisting, reefing and lowering effortlessly

BATTEN CARS FOR FULLY BATTEN MAINSAILS



## FACSLIDE MODEL SELECTION

Facslide Model	Track Reference*	MONOHULL Mainsail area	MULTIHULL Mainsail area
F 10	FR25x15	45 M <sup>2</sup>	40 M <sup>2</sup>
F 20	FR25x15	60 M <sup>2</sup>	55 M <sup>2</sup>
F 30	FR25x15	85 M <sup>2</sup>	70 M <sup>2</sup>
F 40	FR40	130 M <sup>2</sup>	90 M <sup>2</sup>

\* with screws and slugs



### ■ Cars references :

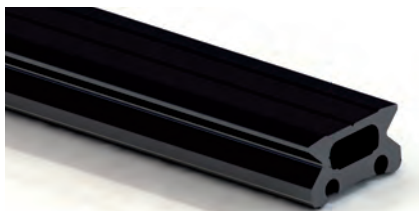
- Batten cars : FL10, FL20, FL30, FL40.
- Intermediates cars : FI10, FI20, FI30, FI40.

### ■ Compact Facslide set :

- including: 2m tracks, one head board car, batten and intermediate cars.
- for a reduced cars height when mainsail lowered, it is possible to mix different car models on FR25x15 tracks (such as FT20 + FL20 + FI10).

## INSTALLATION OF THE TRACK WITH THE SLUGS

■ **Tracks :** Two types of tracks according to the mainsail area :



FR+ 25 x 15 tracks  
For F10-20-30 cars  
Length = 2 meters



FR40 TRACKS  
For F40 cars  
Length = 1,7 meter.

■ **No modification of the mast :** The tracks are easily fitted to your mast with slugs without unstepping and modifying it. The various types of slugs ensure the compatibility of our system to most existing mast grooves. The tracks are CNC drilled with high precision. Made of aluminium extrusion, they are also perfectly straight.

- Two types of slugs : flat and round
- Various sizes available (see table p. 42 or ask to your Facnor dealer)



### Salted water at the head...

Even though the head cars are positioned 10 meter high, they receive sea water, therefore do not hesitate to rinse the cars with fresh water.

Facnor advice: once a year put a drop of washing up liquid on the car balls.

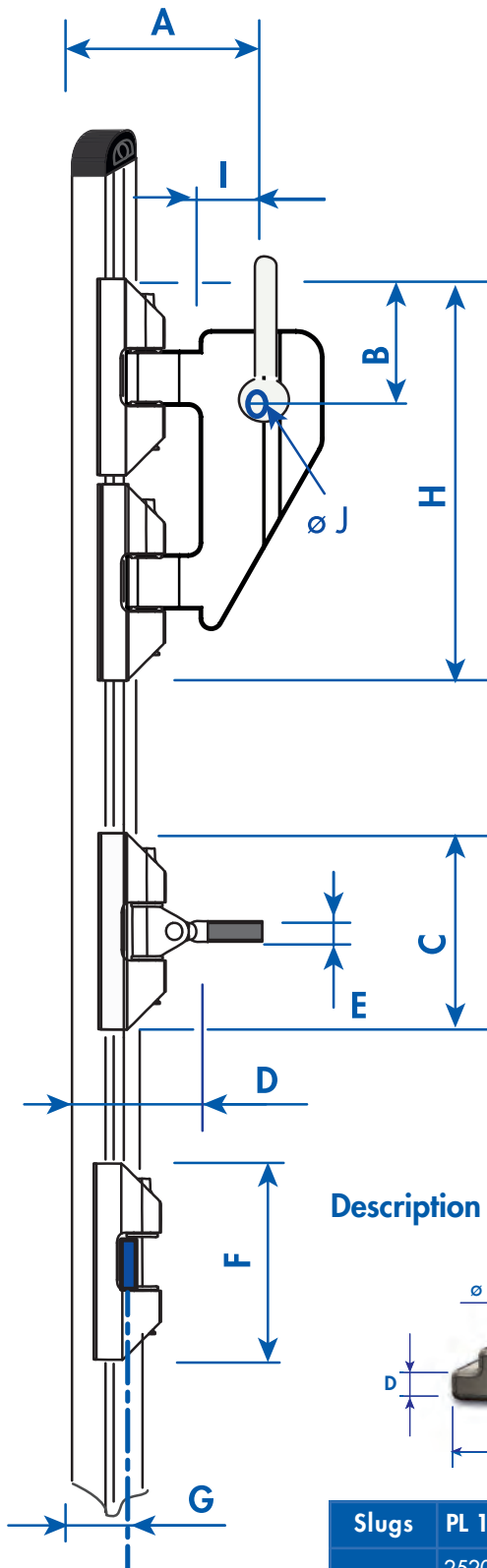
- Facslide+ : new anodization (black)
- F40 : colorless anodization

- See against the installation of the tracks and dimensions p. 42.



Lower mainsail with Facslide system combined with lazy Jack

**FACSLIDE DIMENSIONS**

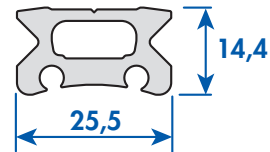


F10+	
Track ref.	FR 25x15
Marks	Dimensions (mm)
A	72
B	45
C	74
D	58
E	M10
F	64
G	26
H	162
I	38
∅ J	8

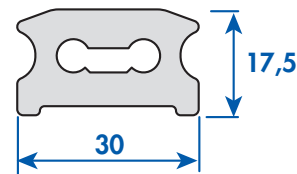
F20+		F30+
Track ref.	FR 25x15	FR 25x15
Marks	Dimensions (mm)	
A	72	115
B	50	98
C	84	94
D	58	60
E	M10	M10
F	74	94
G	26	28
H	172	197
I	35	40
∅ J	8	18

F40+	
Track ref.	FR 40
Marks	Dimensions (mm)
A	120
B	150
C	140
D	120
E	M12
F	85
G	37
H	300
I	39
∅ J	18

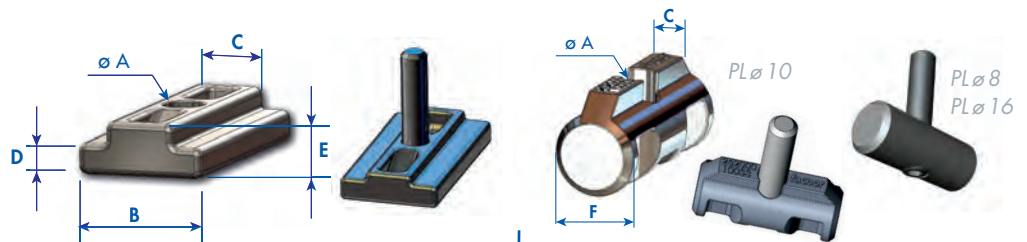
**F10-20-30**



**F40**



**Description and dimensions of the slugs :**



Slugs	PL 1 (16mm)	PL 2 (19mm)	PL 3 (23mm)	PL ø 8	PL ø 10	PL ø 16
Part N°	25200010026 (M5)	25200010028 (M5)	25200010030 (M5)	51095080000 (M5)	25200010033 (M5)	51095160000 (M6)
Dim.			25200010032 (M6)			
A	5 mm	5 mm	5-6 mm	5 mm	5 mm	6 mm
B	16 mm	19 mm	23,7 mm	-	-	-
C	9 mm	9 mm	12,4 mm	-	3,8 mm	-
D	4 mm	4,5 mm	4,8 mm	-	-	-
E	6,3 mm	6 mm	7,7 mm	-	-	-
F	-	-	-	8 mm	10 mm	16 mm