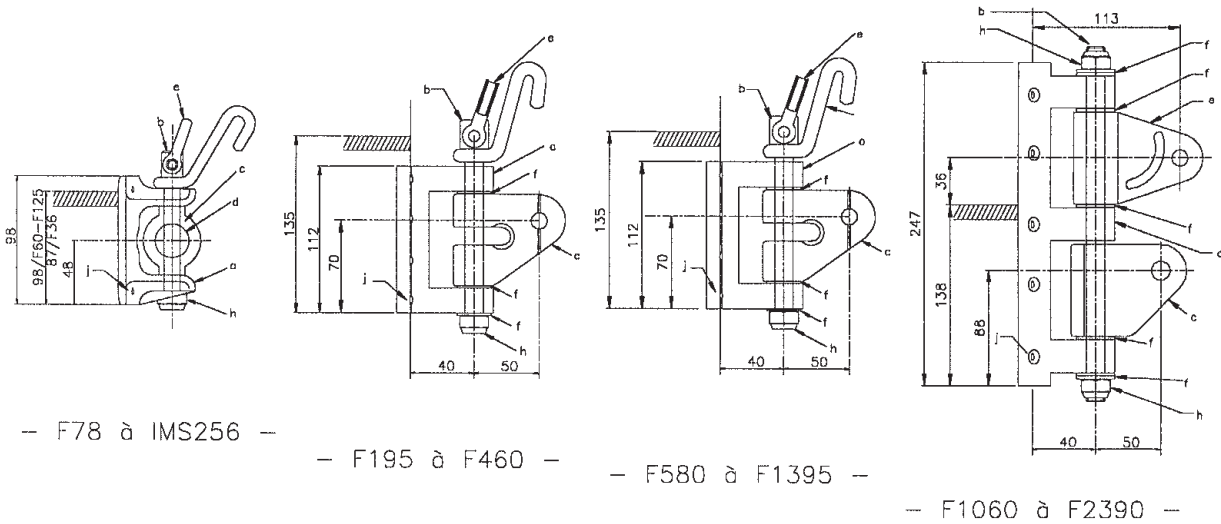


► VIT DE MULET / GOOSENECK

2004



-- F78 à IMS256 --

-- F195 à F460 --

-- F580 à F1395 --

-- F1060 à F2390 --

STANDARD / STANDARD

Profil mât Profile	Bôme Boom	Réf ens. Ref set	a	b	c	d	e	f		h		j		j	
			Ferrure Bracket	Axe Pin	Cardan Toggle	tourillon Bearing	Manille Shackle	Rondelle Washer	Qt	Ecrou Nut	Qt	Rivet Rivet	Qt	Vis Screw	Qt
F78 - IMS80	F36	34511770C05	34511771403	34561771384	34575544100	34575544110	46001121006								
F135 F195 IMS256	F36 F60 F125	34511770C15	34515543093	34561771384	34575544100	34575544110	46001121006			28600512000	1	29004164180	4		
F195-IMS256 F305-F385 F460	F220 F550 F810	3451177PF15	34511774813	34561771464	34531792183		46001151008	28602314025	3	28600514000	1	29002248250	8	28601306035	2
		3451177PF16	34511774813	34561771464	34531792193		46001151008	28602314025	3	28600514000	1	29002248250	8	28601306035	2
F580 F740-F1060 F1395	F220 F550 F810 F1700	3451177PF25	34511774783	34561771464	34531792183		46001151008	28602314025	3	28600514000	1			28601306025	8
		3451177PF26	34511774783	34561771464	34531792193		46001151008	28602314025	3	28600514000	1			28601306025	8
F1060 F1395 F2390	F810 F1700 F3400	3451177PF35	34511770723	40020514268	34531792202		34551770604	28601014000 28602314025	2 5	28600514000	2			28601306025 28601306030	10 4

RENFORCÉ AVEC AILES GALBÉES / REINFORCED WITH COVER PLATES

Profil mât Profile	Bôme Boom	Réf ens. Ref set	a	b	c	d	e	f		h		j		j	
			Ferrure Bracket	Axe Pin	Cardan Toggle	tourillon Bearing	Manille Shackle	Rondelle Washer	Qt	Ecrou Nut	Qt	Rivet Rivet	Qt	Vis Screw	Qt
F135	F220-F550	3452177PF45	34521771723	34561771464	34531792183		46001151008	28601014000	3	28600514000		29002365170	12		
F195	F220-F550	3452177PF55	34521772236	34561771464	34531792183		46001151008	28601014000	3	28600514000		29002365170	12		
IMS256	F220-F550	3452177P145	34521771833	34561771464	34531792183		46001151008	28601014000	3	28600514000		29002365170	16		
F305	F220	3452177PF65	34521771733	34561771464	34531792183		46001151008	28601014000	3	28600514000		29002365170	16		
F385	F550	3452177PF75	34521771743	34561771464	34531792183		46001151008	28601014000	3	28600514000		29002365170	16		
F460	F810	3452177PF85	34521771753	34561771464	34531792193		46001151008	28601014000	3	28600514000		29002365170	16		
F580	F810	3452177PF95	34521771883	34561771234	34535544123			28602316030 28601016000	3 1	28600516000				28601306025	24
F740	F810 F1700	3452177P105	34521771873	34561771234	34535544123			28602316030 28601016000	3 1	28600516000				28601306025	24
F1060	F810	3452177P115	34521771863	34561771234	34535544123			28602316030 28601016000	3 1	28600516000				28601306025	24
F1395	F1700	34521770455	34521771853	34561771234	34535544123			28602316030 28601016000	3 1	28600516000				28601306025	24
F2390 F3360	F3400	34521771165	34511770273	34561771234	34531790073			28602316030	4	28600516000				28601306025	20
		3452177P155	34511771593	34511770273	34531790563			28602318030	4	28600518000				28601306025	20

RIS AUTO & CONTINU / AUTOMATIC AND SINGLE LINE REEFING

Vit de mulet avec axes sans crocs de ris disponible.

Gooseneck vertical pin without reef hook available on request.